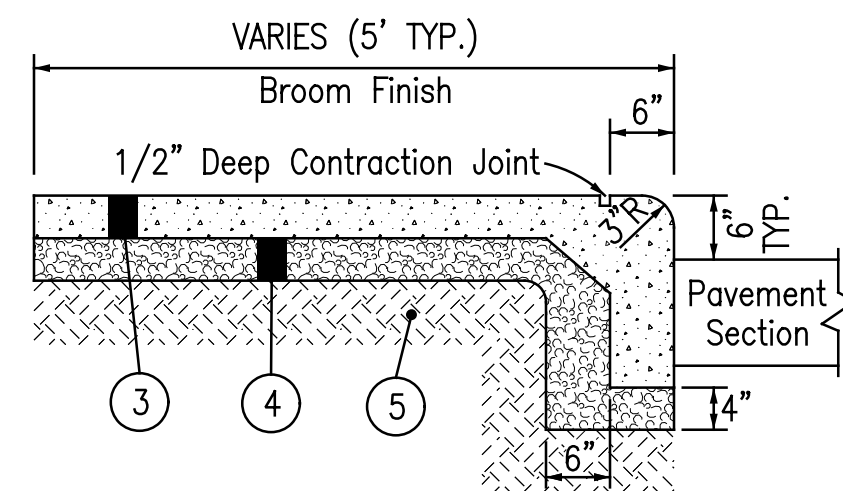


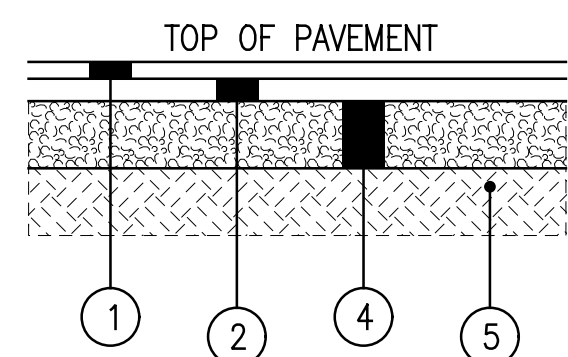
**PAVEMENT DETAIL LEGEND**

- ① Item 448 1 1/2" Asphalt Concrete, Surface Course, Type 1
- ② Item 448 2 1/2" Asphalt Concrete, Intermediate Course, Type 2
- ③ Item 608 4" Standard Combined Curb & Walk (Class C Concrete)
- ④ Item 304 6" Aggregate Base
- ⑤ Item 204 Subgrade Compaction
- ⑥ Item 451 8" Reinforced P.C. Concrete Pavement, Class C
- ⑦ Item 304 8" Aggregate Base

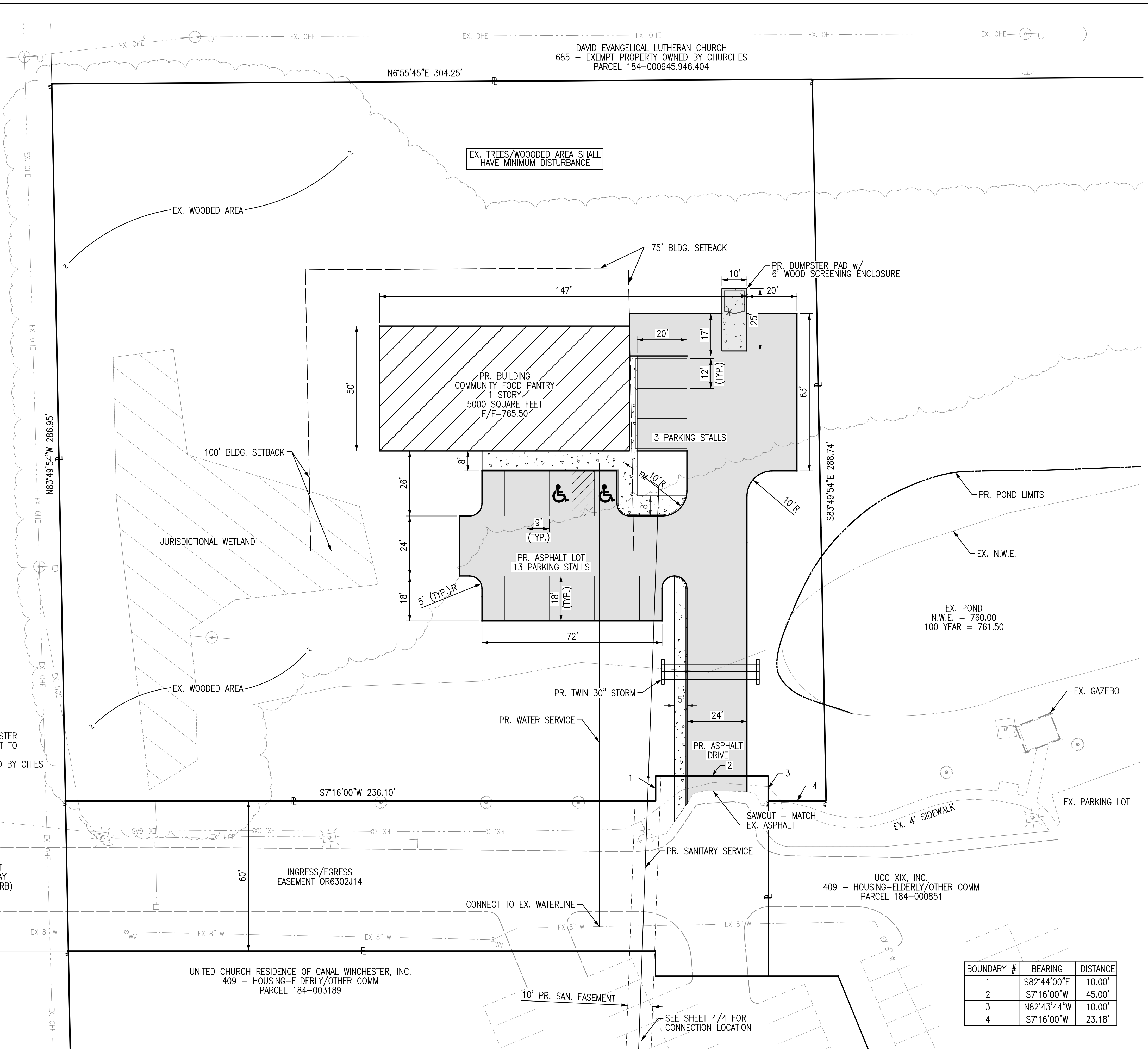
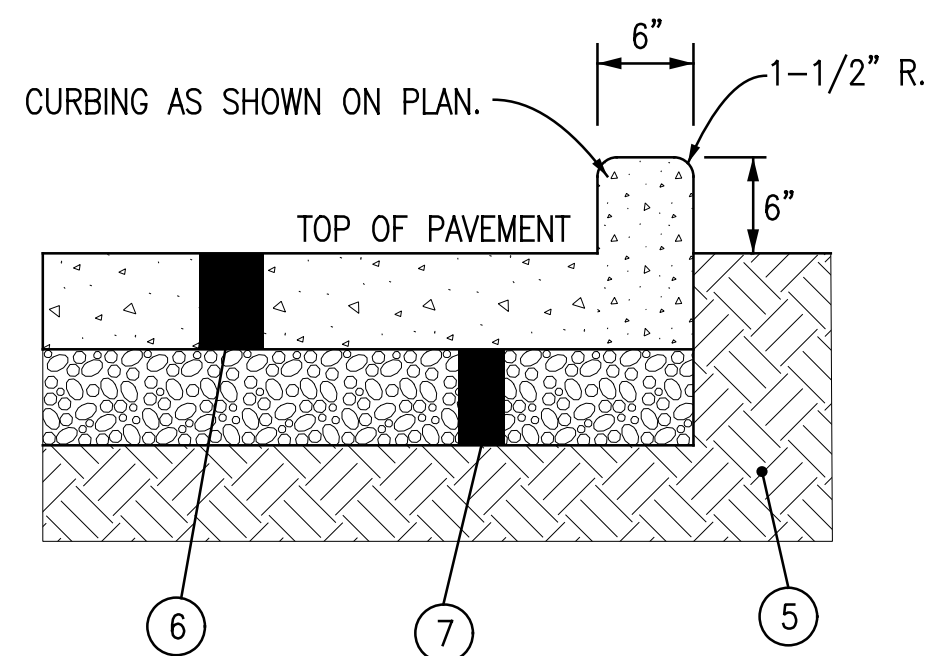
**STANDARD COMBINED CURB AND WALK DETAIL**



**LIGHT DUTY ASPHALT PAVEMENT AREA**



**DUMPSTER PAD DETAIL**



BOUNDARY #	BEARING	DISTANCE
1	S82°44'00"E	10.00'
2	S7°16'00"W	45.00'
3	N82°43'44"W	10.00'
4	S7°16'00"W	23.18'

HORIZONTAL SCALE IN FEET

0 20 40

**ADR**

DESIGNED: RRB  
REVIEWED: RRB

88 West Church Street, Newark, OH 43095 • (740) 345-1921

REVISIONS

1		
2		
3		

**SITE PLAN**

**CANAL WINCHESTER FOOD PANTRY**  
CANAL WINCHESTER, OHIO

JULY 22, 2015  
JOB #286401

3  
4

PRINTED 7/22/2015 11:48:21 AM P:\ADRY\2015\286401 CW Food Pantry\ dgn\Construction Plans\286401\_03\_Site\_Plan.dgn